

MC Mark-Costello Waste Sterilizers



- ✓ *Gravity OR Vacuum High Pressure Sterilizer Technology*
- ✓ *Designed for Low Maintenance and Low Operating Costs*
- ✓ *Pre-Treatment Shredding NOT Required*
- ✓ *MC Vapor Mist Proven Odor Control System*
- ✓ *Up to 3,000 lbs Capacity per Cycle Throughput*
- ✓ *Over 500 Clients Trust MC Sterilizers for Waste Sterilization*



*Waste Volume-System Capacities

Standard Sterilizers

Interior Dimensions	Number of Carts	Cubic Yards	Total Pounds/kgs Approx
Model AS 23 2' diameter x 3' length	Hand Loaded	.333 cubic yards	50 pounds (22 kgs)
Model AS36 3' diameter x 6' length	Hand Loaded	1.5 cubic yards	225 pounds (102kgs)
Model AS47 4' diameter x 7' length	3 Standard Carts	3.0 cubic yards	450 pounds (204kgs)
Model AS58 5' diameter x 8' length	3 Standard Carts	3.75 cubic yards	565 pounds (256kgs)
Model AS510 5' diameter x 10' length	4 Standard Carts	5 cubic yards	750 pounds (340kgs)
Model AS513 5' diameter x 13' length	5 Standard Carts	6.25 cubic yards	938 pounds (425kgs)
Model AS515 5' diameter x 15' length	6 Standard Carts	7.5 cubic yards	1,125 pounds (510kgs)
AS515DD <u>Double Doors</u> 5' diameter x 15' length	3 High Volume Carts	7.5 cubic yards	1,125 pounds (510kgs)
Model AS520DD 5' diameter x 20' length	4 High Volume Carts	10 cubic yards	1,500 pounds (680 kgs)
Model AS525DD 5' diameter x 25' length	5 High Volume Carts	12.5 cubic yards	1,875 pounds (850 kgs)
Model AS530DD 5' diameter x 30' length	6 High Volume Carts	15 cubic yards	2,250 pounds (1,020 kgs)
Model AS620DD 6' diameter x 20' length	3 XL-High Volume Carts	12 cubic yards	1,800 pounds (816 kgs)
Model AS634DD 6' diameter x 34' length	5 XL-High Volume Carts	20 cubic yards	3,000 pounds (1,361 kgs)

Carbon or Stainless Steel Vessels-Carts Include Heat Resistant Casters

*Waste based on 150 lbs. per yard-Carts heaped/mounded when loaded

Mark-Costello Standard Features....

Exclusive Wedge-Lock Door Design

Front Mounted Sump Drain

Quadruple Door Lock Safety Mechanism

Silicon Door Gasket

U.L. Labeled Digital Recorder Controller

Stainless Steel Basket Strainer

MC-Condensate Assembly

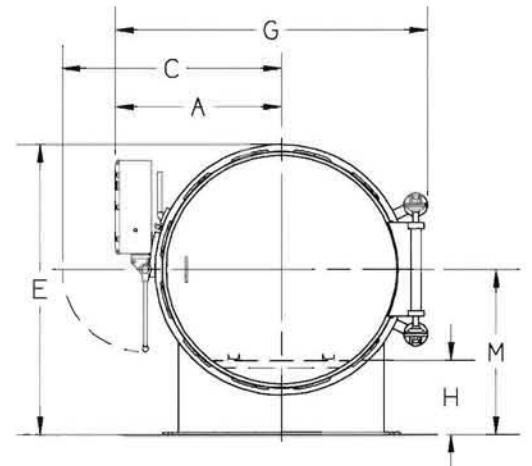
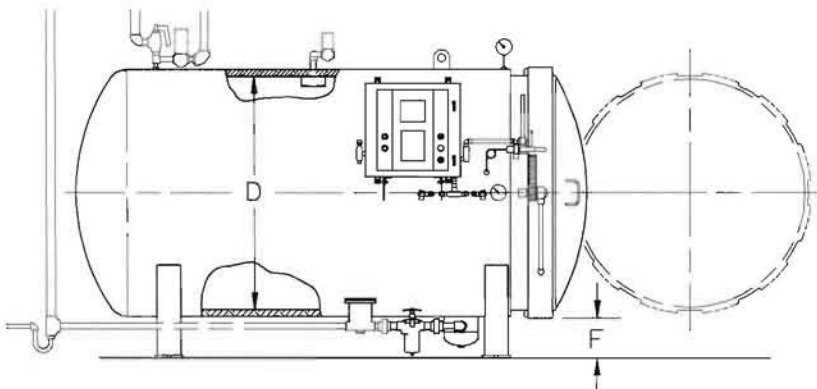
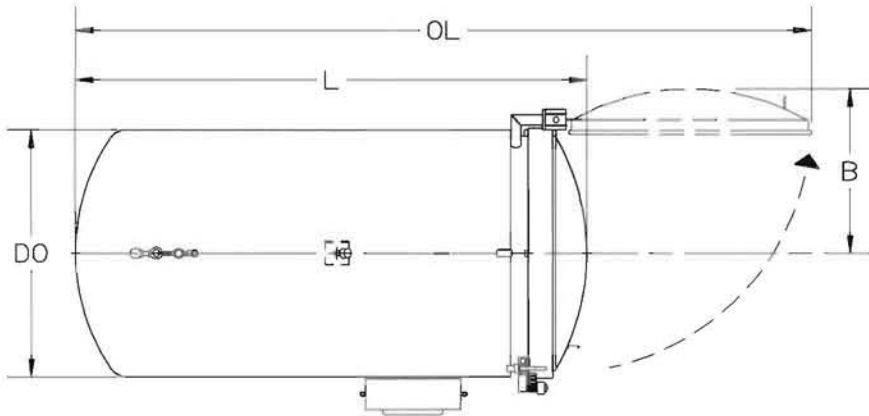
Fully Insulated

•SAFE •RELIABLE •ECONOMICAL •DURABLE

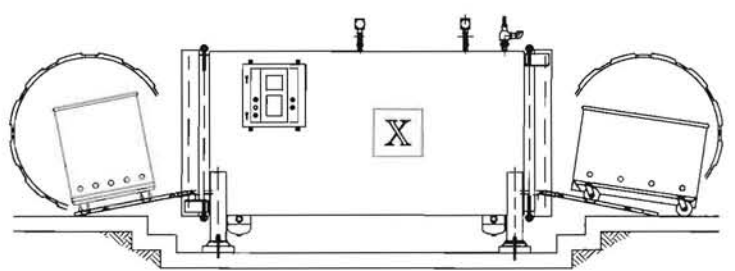
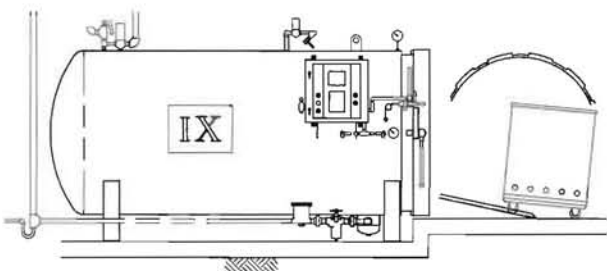
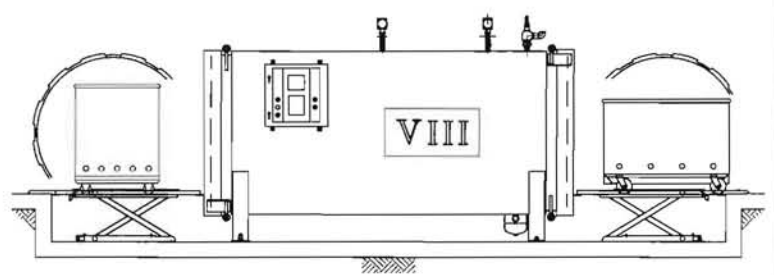
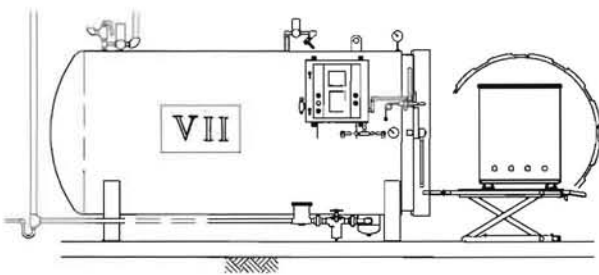
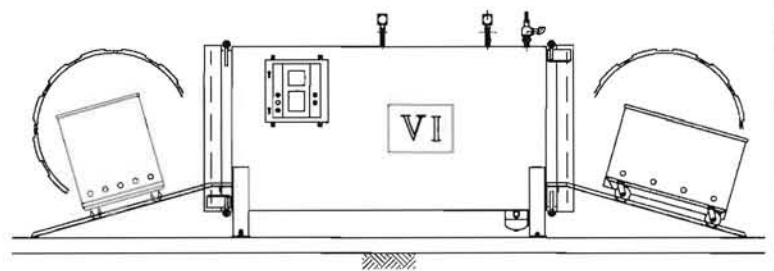
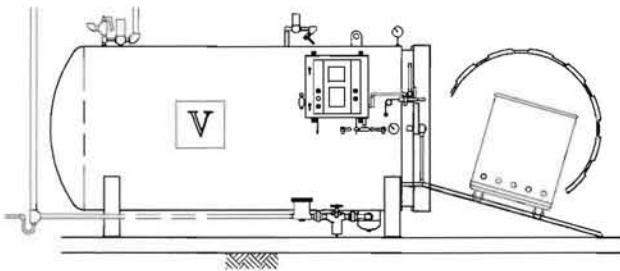
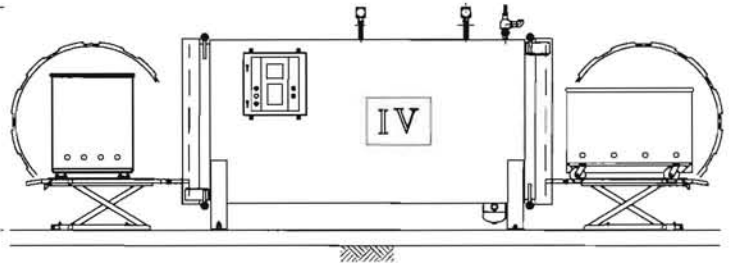
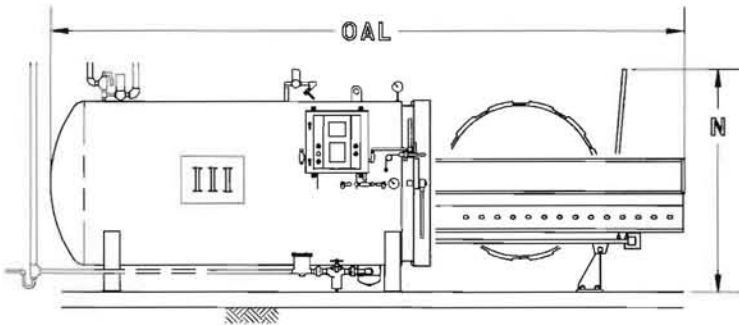
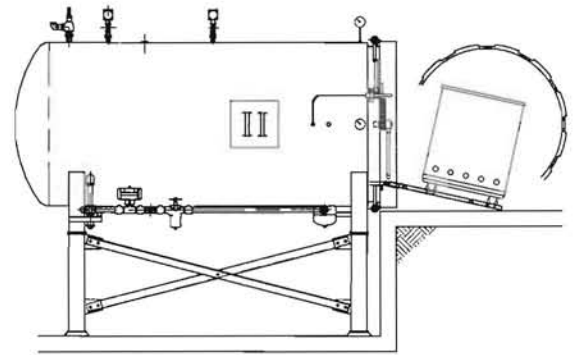
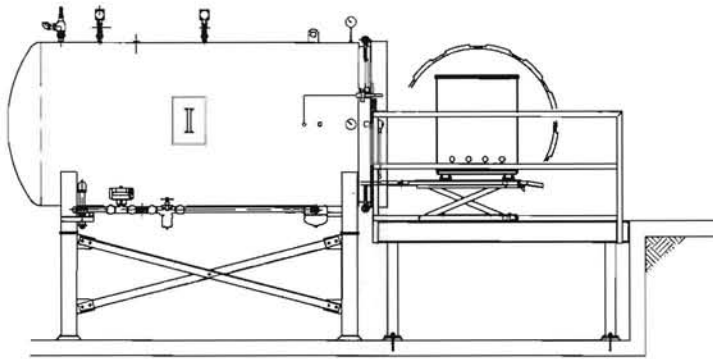
STANDARD MODEL DIMENSIONS

DIM (IN)	MODEL NUMBER									
	AS-46	AS-47	AS-58	AS-510	AS-513	AS-515	AS-520	AS-525	AS-530	AS-634
A	36	36	42	42	42	42	42	42	42	53
B	36	36	43	43	43	43	43	43	43	67
C	49	49	55	55	55	55	55	55	55	-
D	48	48	60	60	60	60	60	60	60	74
E	62	62	75	75	75	75	75	75	75	89
F	10	10	11	11	11	11	11	11	11	10
G	66	66	78	78	78	78	78	78	78	105
H	17	17	20	20	20	20	20	20	20	19
L	102	117	131	155	191	215	283	343	403	448
M	36	36	43	43	43	43	43	43	43	49
N	72	72	87	87	87	87	-	-	-	-
DO	51	51	63	63	63	63	63	63	63	78
OL	148	163	187	211	247	271	331	391	451	514
OAL	172	190	218	250	-	-	-	-	-	-

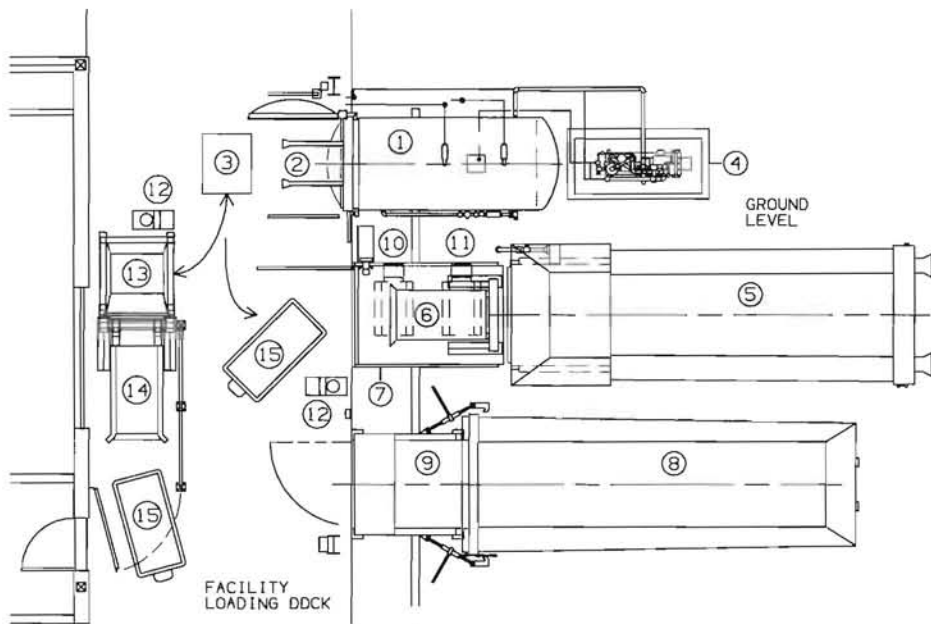
- DIMENSIONS ARE APPROXIMATE & SUBJECT TO CHANGE WITH OUT NOTICE.
- DIMENSIONS SHOWN ARE FOR SINGLE DOOR STERILIZER. CALL FOR DOUBLE DOOR DIMENSIONS.



TYPICAL MC INSTALLATION ARRANGEMENTS

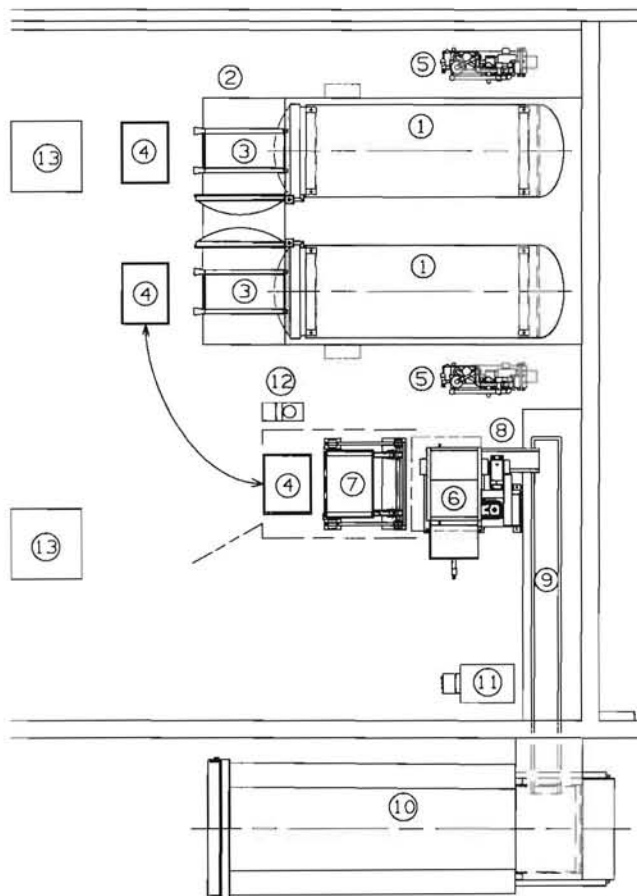


OFF-DOCK INSTALLATION W/VACUUM STERILIZER



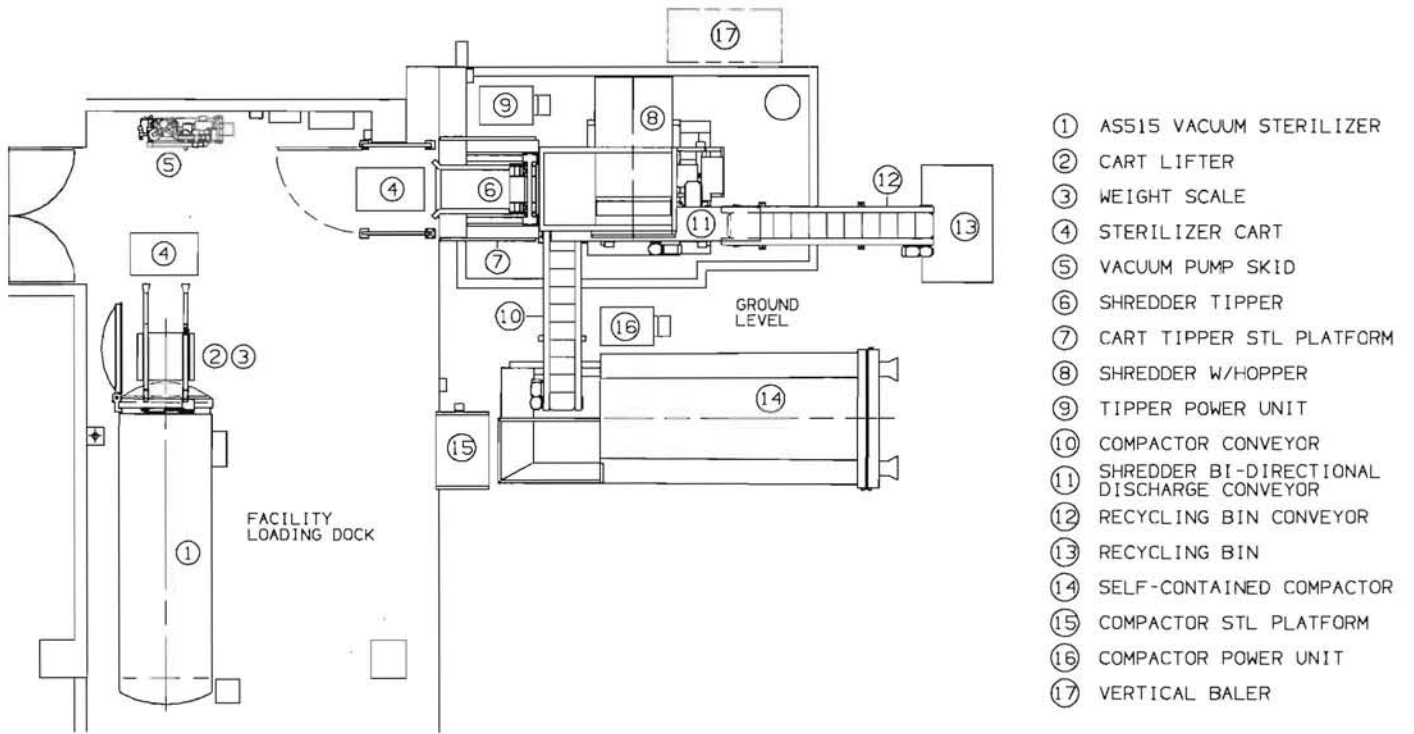
- ① ASS10 VACUUM STERILIZER W/PEDESTAL
- ② STERILIZER FOLD-DOWN CART RAMP
- ③ STERILIZER CART
- ④ VACUUM PUMP SKID
- ⑤ SELF-CONTAINED COMPACTOR
- ⑥ COMPACTOR TIPPER
- ⑦ CART TIPPER STL PLATFORM
- ⑧ STATIONARY COMPACTOR CONTAINER
- ⑨ STATIONARY COMPACTOR
- ⑩ SELF-CONTAINED COMPACTOR POWER UNIT
- ⑪ STATIONARY COMPACTOR POWER UNIT
- ⑫ TIPPER POWER UNIT
- ⑬ CART-TO-CART HOPPER
- ⑭ CART-TO-CART TIPPER
- ⑮ ICY UTILITY CART

PIT INSTALLATION W/DUAL VACUUM STERILIZERS & SHREDDER

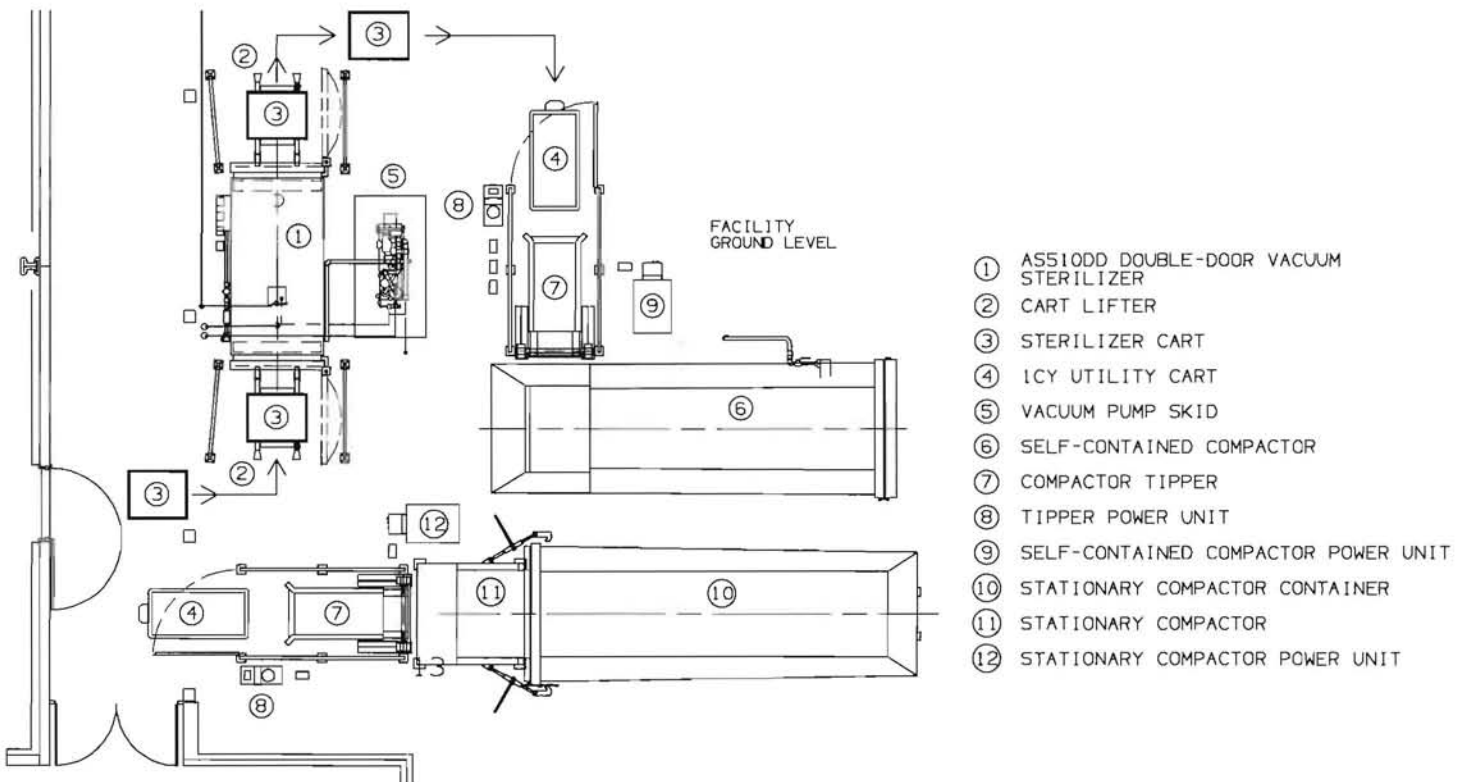


- ① ASS13 VACUUM STERILIZER
- ② STERILIZER PIT
- ③ CART LIFTER
- ④ STERILIZER CART
- ⑤ VACUUM PUMP SKID
- ⑥ SHREDDER W/HOPPER
- ⑦ CART TIPPER
- ⑧ SHREDDER DISCHARGE CONVEYOR
- ⑨ COMPACTOR CONVEYOR
- ⑩ SELF-CONTAINED COMPACTOR
- ⑪ COMPACTOR POWER UNIT
- ⑫ TIPPER POWER UNIT
- ⑬ SCALE

STERILIZER INSTALLATION W/SHREDDER & CONVEYORS



GROUND LEVEL INSTALLATION W/DOUBLE-DOOR VACUUM STERILIZER



Optional Equipment:



Digital Touch Screen Controller



Vacuum System



Stainless Steel Model



Dual Wall-Steam Jacket



MC-Vapor Mist Odor Control



Hydraulic Door Lock/Swing

Ancillary Equipment:



96 Gallon Cart-Hydraulic Dumper



Industrial Refuse Compactors



Bulk Handling Conveyors



Industrial Shredders



Cart to Cart Hydraulic Dumper



Hydraulic Cart Lift

Mark-Costello Waste Sterilizers



AS621DD (Double Door) w/Steam Jacket and vacuum pit-installed at a commercial waste processors plant utilizes optional hydraulic draw bridge to load carts.



AS510 with vacuum and touch screen controller installed at dock with self-contained compactor for waste and stationary compactor for OCC.



Installed at an International Airport-our model AS515 Hi-Volume/Stainless with vacuum treats international flight waste seven days a week-24 hours per day.



These AS515 units with optional Double Doors installed at a large regional California hospital meet the demand for reliable and dependable waste equipment.



With optional hydraulic cart lift, loading and unloading carts into this AS58 installed at a Midwestern Hospital simplifies material waste handling.



Equipped with optional cart ramp this AS510 installed at a Regional medical center allows carts to be easily loaded into sterilizer.

AS-Series Sterilizers Leasing Programs Available
THE MARK-COSTELLO CO.
1145 E. DOMINGUEZ ST.
CARSON, CA. 90746 USA

www.mark-costello.com
(310) 637-1851 (310) 762-2330 fax

Authorized Agent: